

TRACK-PRO

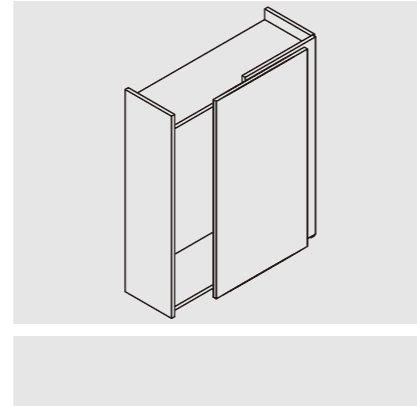
CP Series Soft-close Top-running Complanar Sliding Door System

PRODUCT



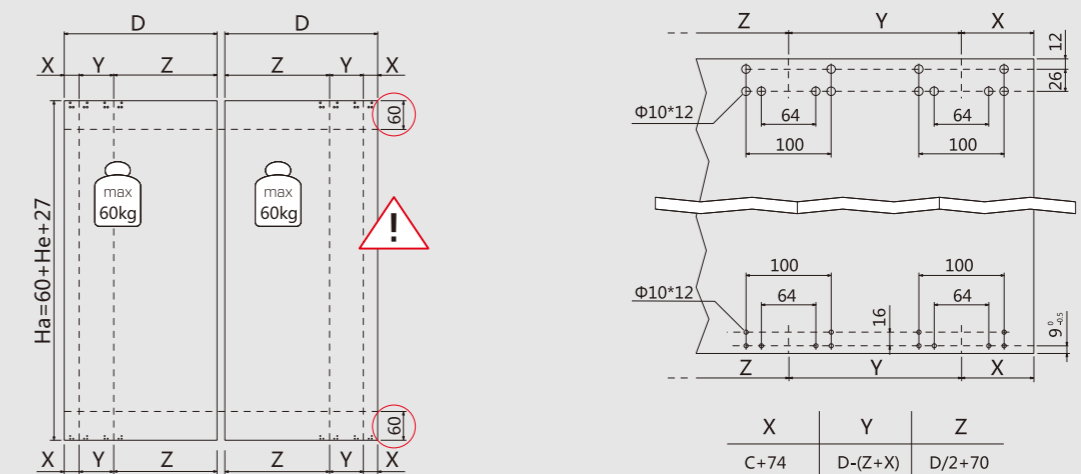
DESCRIPTION

- Door width: 800mm to 1600mm
- Door weight up to 60kg
- Adjustable spring on the sliding units for making weaker or stronger opening efforts according to the door weight
- 3d door adjustments: height, depth and side adjustment
- The unique sliding opening mechanism for complanar doors
- Flexible solution to supply sliding units separately and easy assembly according to special customized measures

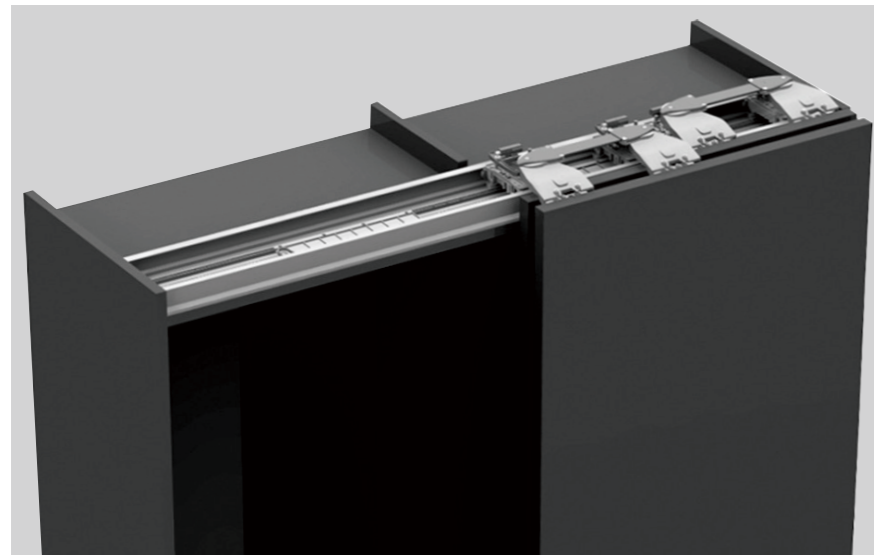


PLANNING

Sliding Door Drilling Dimensions (mm)

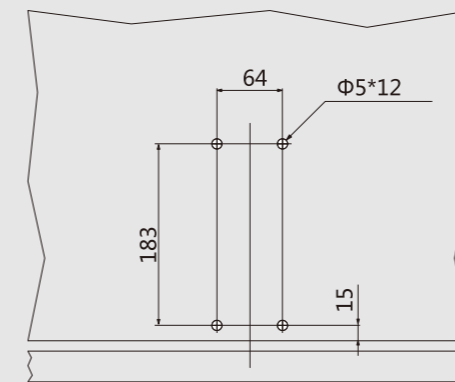


CP Series Soft-close Sliding Door System

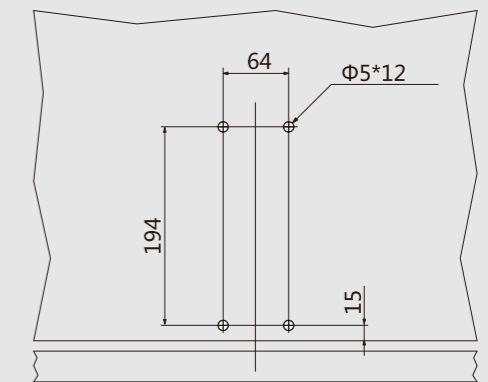


Kit package	
Item No.	OCP00001A
Set/ctn	10

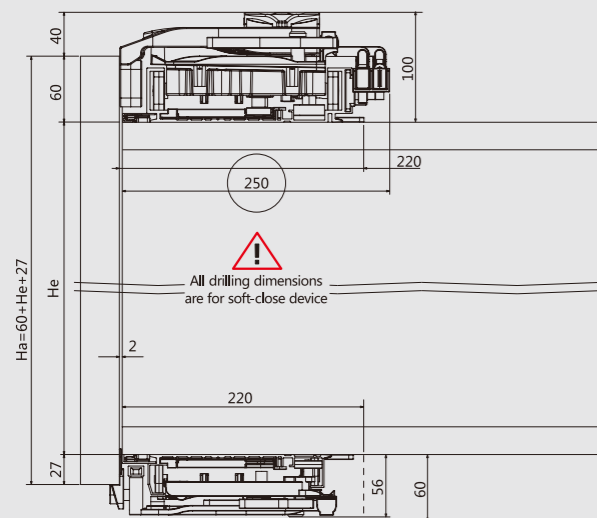
Bottom Drilling Dimensions (mm)



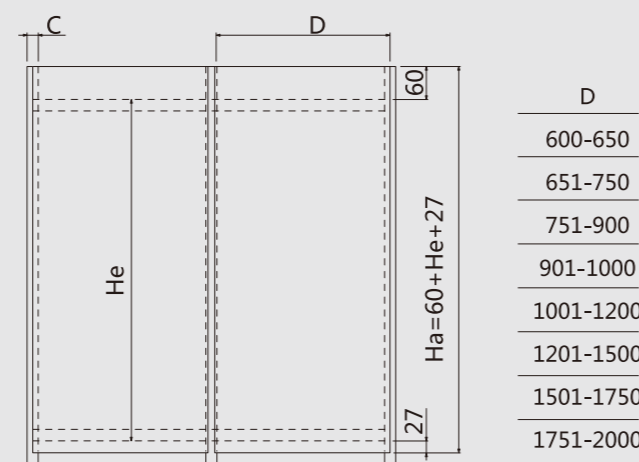
Top Drilling Dimensions (mm)



Sliding Door Installation Dimensions(mm)

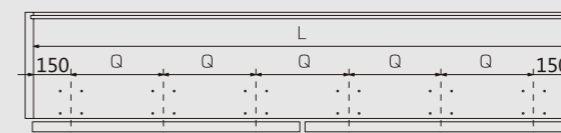


Sliding Door Installation Dimensions(mm)

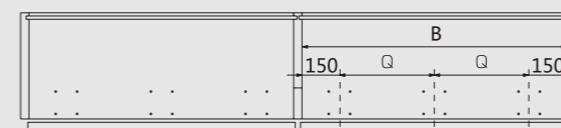


Drilling Dimensions for Door Width 801mm to 1200mm

Single Top Panel
 $Q=(L-300)/5$

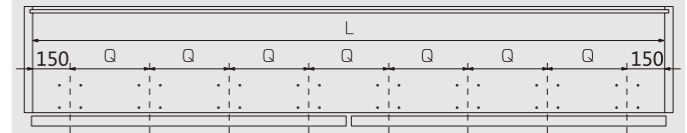


Top Panel Combination
 $Q=(B-300)/2$

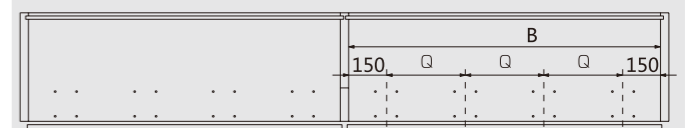


Drilling Dimensions for Door Width 1201mm to 1600mm

Single Top Panel
 $Q=(L-300)/7$



Top Panel Combination
 $Q=(B-300)/3$



TRACK-PRO

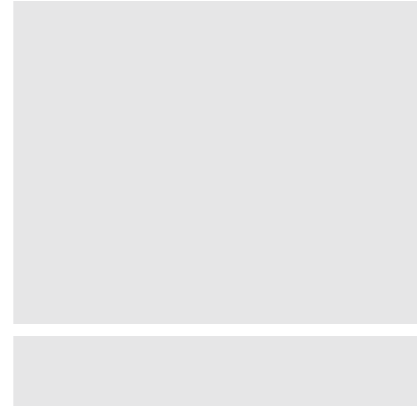
CH Series Soft-close Top-running Sliding Door System

PRODUCT



DESCRIPTION

- Gentle and smooth door opening and closing thanks to patented damper design
- Effective catching mechanism prevents door disengagement
- Door height adjustment: $\pm 5\text{mm}$
- Door thickness: 30-40mm
- Door weight up to 100kgs



CH Series Two-way Soft-close Sliding Door System, for Wood Door, Track Under Top Panel

Kit Package			
Door Weight(KG)	Item No.	Set/ctn	
5~15	OCH02A	10	
15~30	OCH02B	10	
30~50	OCH02C	10	

OCH02 Kit Package includes:

1 X Top Roller Integrated with Damper	1 X Top Roller	2 X Damper Trigger	1 X Bottom Guiding Pin for Wood Door	2 X Hanger for Wood Door

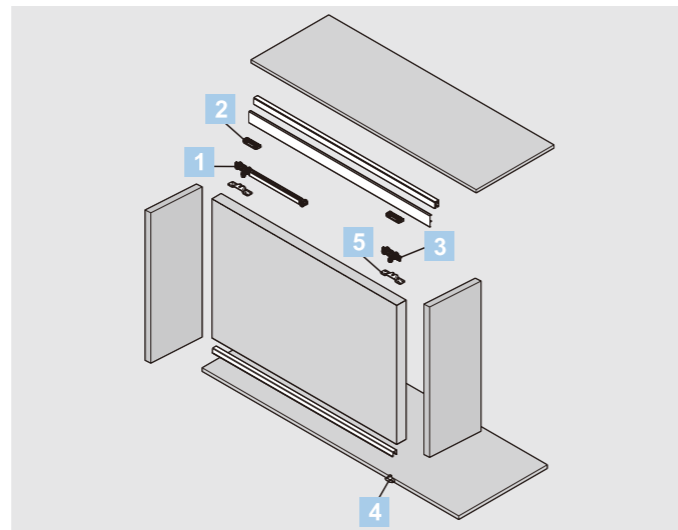
1		Top Roller Integrated with Damper / Industrial package	
	Door Weight(KG)	Item No.	Pcs/ctn
	5~15	CHHCB1	100
	15~30	CHHCB2	100
	30~50	CHHCB3	100

2		Damper Trigger / Industrial package
	Item No.	Pcs/ctn
	CHBDA	200

3		Top Roller / Industrial package
	Item No.	Pcs/ctn
	CHDLA	100

4		Bottom Guiding Pin for Wood Door / Industrial package
	Item No.	Pcs/ctn
	CHXLB	100

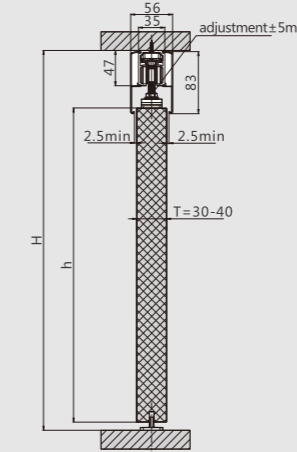
5		Hanger for Wood Door / Industrial package
	Item No.	Pcs/ctn
	CHDLC	200



PLANNING

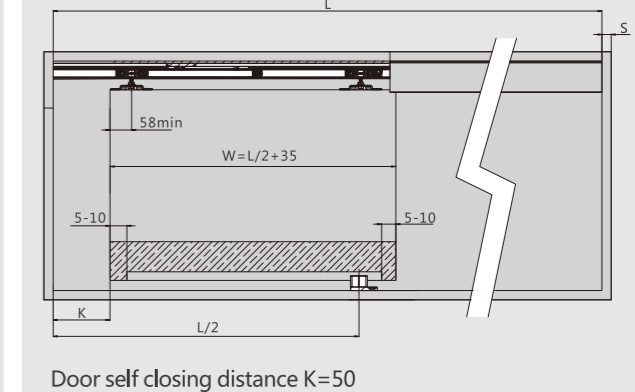
Sliding Door Installation Dimensions(mm)

H=cabinet internal height
h=door height
T=door thickness
Door height: $h = H - 88$



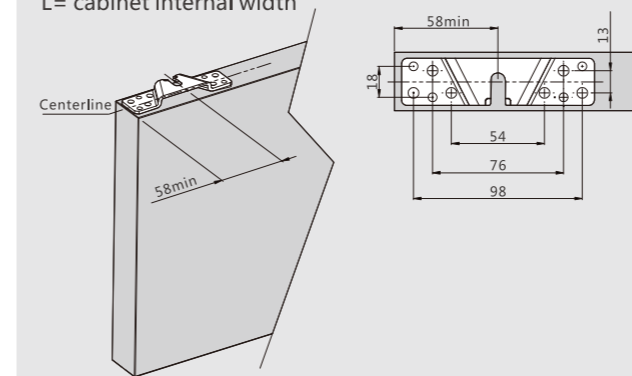
Damper Trigger Installation Dimensions(mm)

W=door width L=cabinet internal width
 $W = L/2 + 35$
S=damper trigger fixing position

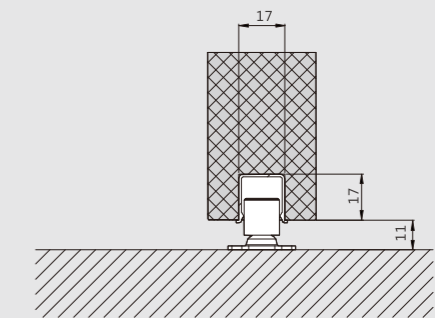


Sliding Door Installation Dimensions(mm)

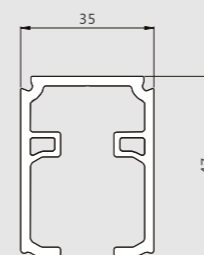
W=door width
 $W = L/2 + 15$
L= cabinet internal width



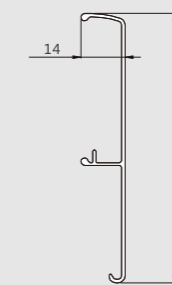
Wood Door Notching Dimensions (mm)



Top Track Installation Dimensions(mm)

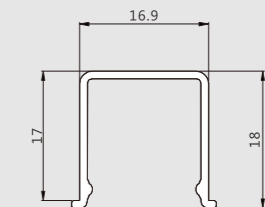


Top Track / Industrial package	
Silver white (F98)	
Item No.	Pcs/ctn
CHDG01	5
Length : 6 meters	



Decoration Cover for Top Track / Industrial package	
Silver white (F98)	
Item No.	Pcs/ctn
CHDG03	5
Length : 6 meters	

Bottom Track Installation Dimensions(mm)



Bottom Track / Industrial package	
Silver white (F98)	
Item No.	Pcs/ctn
CHDG04	5
Length : 6 meters	

TRACK-PRO

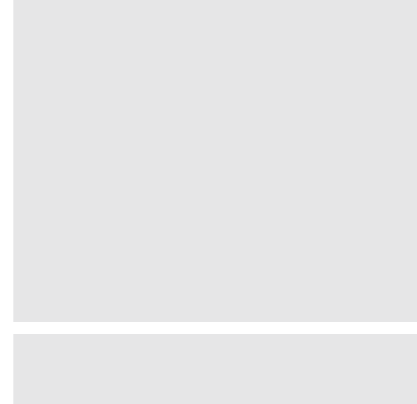
CH Series Soft-close Top-running Sliding Door System

PRODUCT

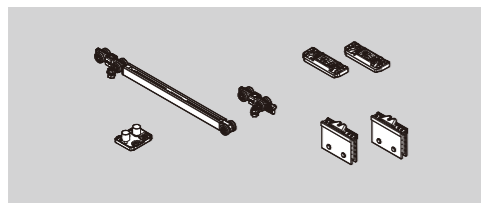
DESCRIPTION



- Gentle and smooth door opening and closing thanks to patented damper design
- Effective catching mechanism prevents door disengagement
- Door height adjustment: $\pm 5\text{mm}$
- Glass door thickness: 8-12mm
- Door weight up to 100kgs



CH Series Two-way Soft-close Sliding Door System, for Glass Door, Track Under Top Panel



Kit Package			
Door Weight(KG)	Item No.	Set/ctn	
5~15	OCH16A	10	
15~30	OCH16B	10	
30~50	OCH16C	10	

OCH16 Kit Package includes:

1 X Top Roller Integrated with Damper	1 X Top Roller	2 X Damper Trigger	1 X Bottom Guiding Pin for Wood Door	2 X Hanger for glass door

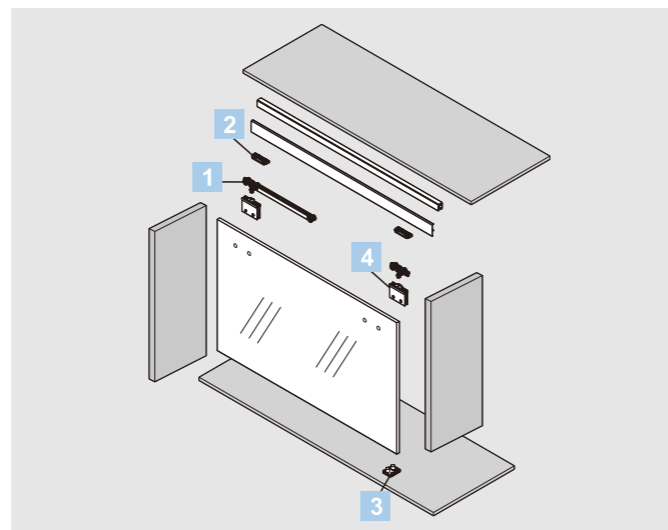
1	Top Roller Integrated with Damper / Industrial package		
	Door Weight(KG)	Item No.	Pcs/ctn
	5~15	CHHCB1	100
	15~30	CHHCB2	100
	30~50	CHHCB3	100

2	Damper Trigger / Industrial package		
	Item No.	Pcs/ctn	
	CHBDA	200	

3	Top Roller / Industrial package		
	Item No.	Pcs/ctn	
	CHDLA	100	

4	Bottom Guiding Pin for glass door / Industrial package		
	Item No.	Pcs/ctn	
	CHXLC	100	

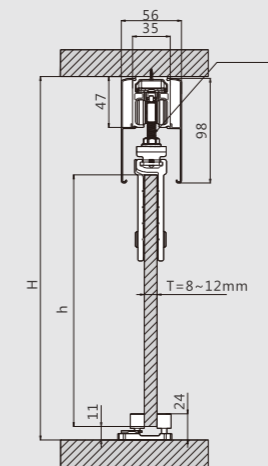
5	Hanger for glass door / Industrial package		
	Item No.	Pcs/ctn	
	CHDLE	200	



PLANNING

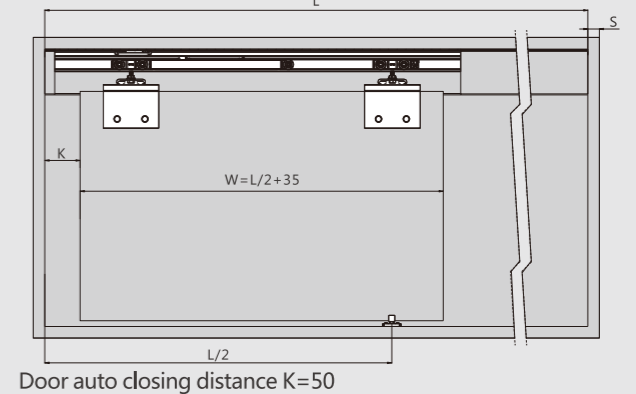
Sliding Door Installation Dimensions(mm)

H=cabinet internal height
h=door height
T=door thickness
Door height: $h=H-104$



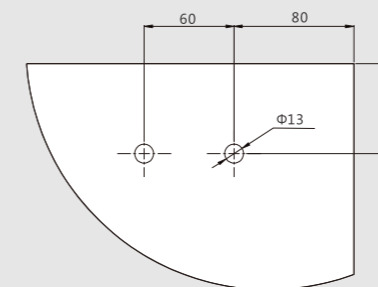
Damper Trigger Installation Dimensions(mm)

W=door width L=cabinet internal width
 $W=L/2+35$ S=damper trigger fixing position

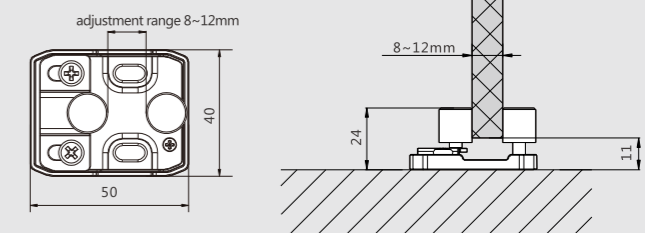


Sliding Door Installation Dimensions(mm)

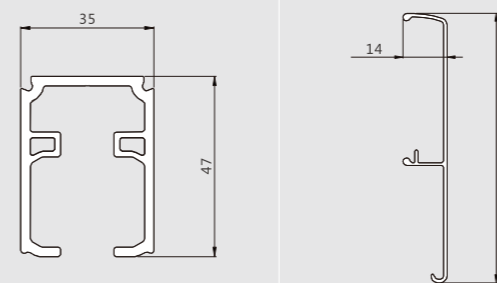
W=door width
 $W=L/2+15$
L= cabinet internal width



Bottom Guiding Pin Installation Dimensions (mm)



Top Track Installation Dimensions(mm)



Top Track / Industrial package		Decoration Cover for Top Track / Industrial package	
Silver white (F98)		Silver white (F98)	
Item No.	Pcs/ctn	Item No.	Pcs/ctn
CHDG01	5	CHDG03	5
Length : 6 meters		Length : 6 meters	

TRACK-PRO

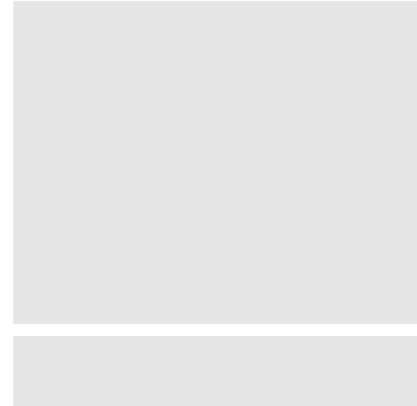
R01 Series Pocket-sliding Door System

PRODUCT



DESCRIPTION

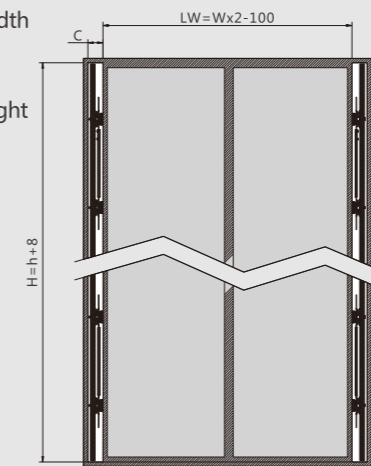
- Gentle and smooth door opening and closing
- Door Rotates to Open and Slides into Cabinet Sides
- Gentle and Smooth Door Opening and Closing
- Door width: 300-600mm
- Door height: 1600-2400mm
- Door thickness: 18-30mm



PLANNING

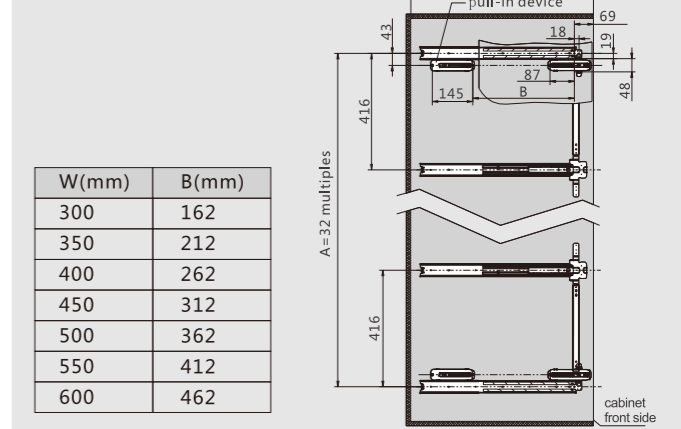
Door Installation Dimensions(mm)

LW=internal cabinet width
 $LW=W \times 2 - 100$
 h=door height
 H=cabinet side slot height
 W=door width
 $W=L/2 + 35$



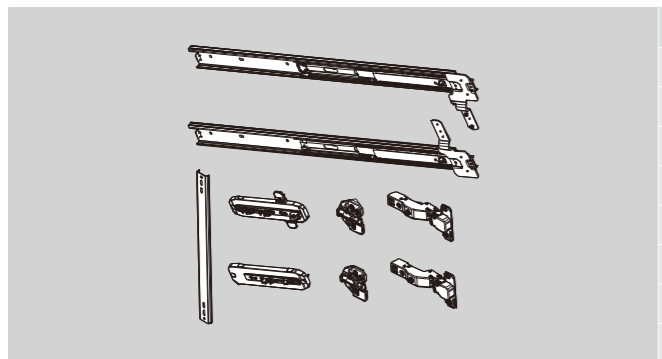
Slides Installation Dimensions(mm)

LT=Internal cabinet depth

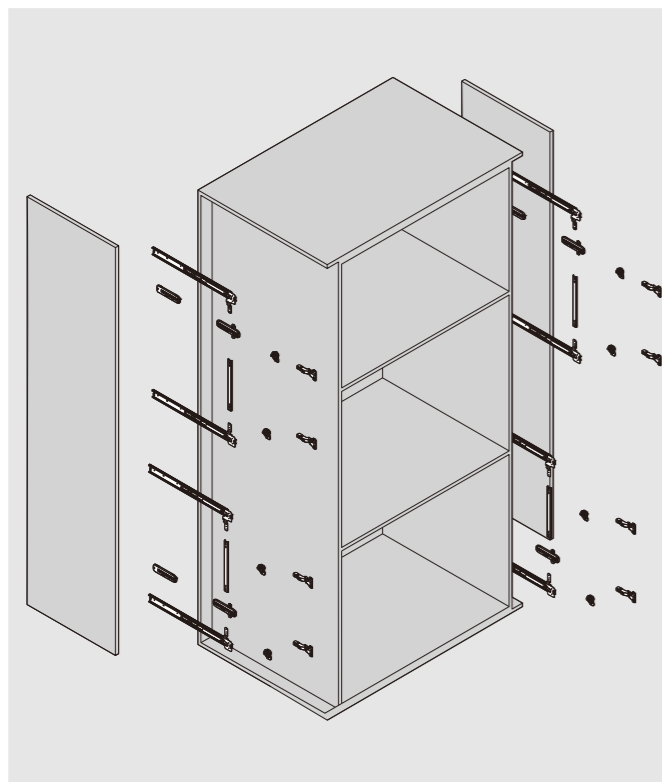


W(mm)	B(mm)
300	162
350	212
400	262
450	312
500	362
550	412
600	462

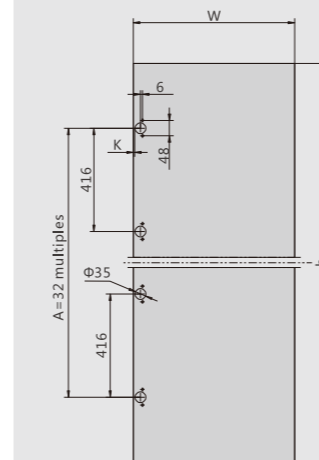
R01 Series Pocket-sliding Door System, for Wood Door



Kit Package			
Door Width(mm)	Item No.	Set/ctn	
300	R01400H	10	
350	R01450H	10	
400	R01500H	10	
450	R01550H	10	
500	R01600H	10	
550	R01650H	10	
600	R01700H	10	



Door Installation Dimensions(mm)



h(mm)	1600	1800	2000	2200	2400
A(mm)	1344(32x42)	1536(32x48)	1760(32x55)	1952(32x61)	2144(32x67)

	T	16	18	19	20	21	22	23	24	25	26	27	28	29	30
K=4	C=	56.5	57.0	57.3	57.8	58.4	59.1	59.8	60.7	61.5	62.4	63.2	64.1	65.0	66.0
K=5	C=	57.5	58.0	58.3	58.7	59.2	59.8	60.5	61.3	62.1	62.9	63.8	64.7	65.5	66.4
K=6	C=	58.5	59.0	59.3	59.7	60.1	60.7	61.3	62.0	62.7	63.5	64.3	65.2	66.0	66.9
K=7	C=	59.6	60.0	60.3	60.6	61.0	61.5	62.1	62.7	63.5	64.2	65.0	65.8	66.6	67.5
K=8	C=	60.6	61.0	61.3	61.6	62.0	62.4	63.0	63.5	64.2	64.9	65.6	66.4	67.1	68.0
K=9	C=	61.6	62.0	62.3	62.6	62.9	63.4	63.8	64.4	65.0	65.6	66.3	67.1	67.9	68.6

Screw Positions of the Slides(mm)

